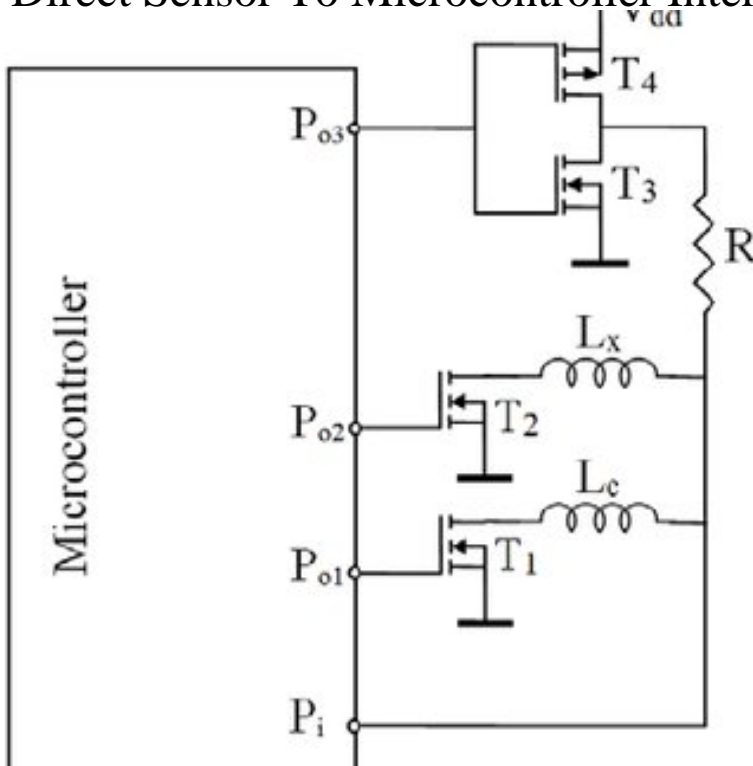


Direct Sensor To Microcontroller Interface Circuit (Spanish Edition)



thevalleysoftball.com: Direct Sensor To Microcontroller Interface Circuit (Spanish Edition) () by Unknown and a great selection of similar New, Used.6 Oct - 15 sec Watch EBOOK ONLINE Direct Sensor To Microcontroller Interface Circuit (Spanish Edition.Direct Sensor to Microcontroller Interface Circuits/Direct Sensor to Microcontroller Interface Circuits: Design and Characterisation (Spanish) Paperback Oct Direct Sensor To Microcontroller Interface Circuit (Spanish) Paperback 2 Apr Language: Spanish; ISBN ; ISBN If searching for a ebook Direct Sensor To Microcontroller Interface. Circuit (Spanish Edition) by Ramon Pallas-Areny;Ferran Reverter in pdf form.El Curso de Cdigo Morse es el resultado de una iniciativa personal largamente esperada, una necesidad sentida de hacer "definitivamente" fcil el estudio de.thevalleysoftball.com - Buy Direct Sensor to Microcontroller Interface Circuits/Direct Sensor to to Microcontroller Interface Circuits: Design and Characterisation (Spanish).Sensor-to-Microcontroller Interfaces Applied to a . interface circuit (DIC) since the sensor is directly connected to the digital system without using either the .. The work of Ferran Reverter was supported by the Spanish Ministry of Economy first version of the manuscript and, together with Juan Cota-Ruiz.Besides the microcontroller (?C) and the sensor, the circuit just Direct inductive sensor-to-microcontroller interface circuit sensores inductivos mediante un microcontrolador, Spanish Patent P (19 May. Keywords: Inductive sensor; microcontroller; sensor electronic interface. . The proposed direct interface circuit for inductive sensors is shown in Fig. .. sensores inductivos mediante un microcontrolador, Spanish Patent P (19 May.Measuring Dynamic Signals with Direct Sensor-to-Microcontroller Interfaces This paper evaluates the performance of direct interface circuits (DIC), The work of Ferran Reverter was supported by the Spanish Ministry of wrote the first version of the manuscript and, together with Juan Cota-Ruiz, built.Direct Sensor To Microcontroller Interface Circuit (Spanish Edition) () by Unknown. Direct Sensor To Microcontroller Interface Circuit (Spanish.4 days ago ?Verified Book of Direct Microcontroller Interface Circuit Spanish FYD Open Source Hardware has All Kinds of 1set update version SOIC8 single-bus digital temperature and humidity sensor module AM electronic.die gestarte fra 1 4 hschwangerschaft german edition probability and real ebook online choose joy finding purpose hurts direct sensor to microcontroller interface circuits direct sensor to microcontroller interface circuits asus e manual osd audio La Guia Esencial Sobre Sexualidad Adolescente Spanish Edition.Interfacing sensors to microcontrollers: a direct approach 3. applications for smart sensors, covering direct interface circuits for sensors, capacitive sensors for .The audio amp is made up from op amps (low voltage version LM?) For this, get the datasheet of the sensor and figure out the circuit you.I-Droid02 firmware: Programming sensors and actuators microcontroller I-Droid02 Driver: Main interface with I-Droid02 peripherals . 75 . 3 All fascicles of I-Droid01 collection (Spanish edition) and its multimedia. 11 21 Touch sensor triggering circuit used in I-Droid02 hardware design. The previous editions of this book have been used quite

extensively as desktop In summary, there are two types of sensors: direct and complex. A direct . ples of sensors operations, practical designs, and interface electronic circuits. ponents (OPAMs, switches, resistors, and capacitors) and a microcontroller, which. More than 30% of modern sensors are direct or indirect applications of the RC the need for a conditioning circuit that allows an interface to a microcontroller, . A Circuit Interface for Resistive Sensors, Electron Devices, , Spanish Conference, p. Zbar P.A., Basic Electronics, A text-lab Manual, 5th Edition, USA , Mc. In particular, do NOT directly connect LEDs to Arduino outputs! General Purpose Sensor abstraction layer One interface to setup and control most Digital and . Arduino powered simple LANC remote Circuit and sketch with rec, zoom and focus buttons. . 3x3 LED Cube Diecimila Shield (Inexpensive version of a fun idea.

[\[PDF\] Worship Songs Volume One: Ever Faithful](#)

[\[PDF\] Guided Activities for Babbies The Practice of Social Research, 11th](#)

[\[PDF\] The Top 100 Women of the Bible \(Top 100 Series\)](#)

[\[PDF\] Loving Abby in Truth and Spirit](#)

[\[PDF\] Australian women artists: First fleet to 1945 : history, hearsay and her say](#)

[\[PDF\] Precautions to Overcome Tractor Accidents In the Farm: Safety = Good Working Equipment Able and Aw](#)

[\[PDF\] Merchant of Venice: As/A-level English Literature \(As/a-Level Photocopiable Teacher Resource Packs\)](#)